

LGMG

AR20J

ARTICULATING BOOM LIFT

- 260/350kg dual-capacity design, 2.44m triple entry platform.
- Oscillating, full-time floating axels allow the wheels to grip to the ground when navigating hard, uneven terrain.
- Integrated four-wheel-drive system provide strong power, smooth transmission, and 45% gradeability.
- Equipped with three steering modes; four-wheel steering, crab steering, and front-wheel steering, and equipped with one-touch wheel alignment.
- Proportional lift and drive controls deliver smoother maneuvering, precise positioning and comfortable operation.



LGMG Diesel - Articulating Boom Lift

SPECIFICATIONS

| Models | AR20J (AR65J) | |
|---------------------------|-----------------|-------------|
| Measurements | Metric | US |
| Work Height Max. | 21.58m | 70'9" |
| Platform Height | 19.58m | 64'3" |
| Horizontal Outreach | 12.37m | 40'7" |
| Up and Over Height | 8.19m | 26'10" |
| Platform Length | 2.44m | 8' |
| Platform Width | 0.9m | 2'11" |
| Platform Capacity | 260/350kg | 573/772 lbs |
| A Stowed Length | 9.42m | 30'11" |
| B Overall Width | 2.5m | 8'2" |
| C Stowed Height | 2.46m | 8'1" |
| D Wheelbase | 2.51m | 8'3" |
| E Ground Clearance | 0.4m | 1'4" |

Productivity

| | | |
|-------------------------|----------------|-------------|
| Max. Platform Occupancy | 2(in) / 2(out) | |
| Turntable Rotation | 360° | 360° |
| Drive Speed-Stowed | 5km/h | 3.1mph |
| Drive Speed-Raised | 0.8km/h | 0.5mph |
| Gradeability | 45% | 45% |
| Max. Wind Speed | 12.5m/s | 28mph |
| Turning Radius-Inside | 1.9m | 6'3" |
| Turning Radius-Outside | 3.9m | 12'9" |
| Max.Slope | 4°/4° | 4°/4° |
| Tires Type | RT Foam-filled | |
| Tires Size | 355/55D 625 | 355/55D 625 |

Power

| | | |
|--------------|------|--------|
| Power Source | 36kw | 48.3hp |
|--------------|------|--------|

Hydraulic System

| | | |
|----------------------|------|---------|
| Hydraulic Oil Volume | 100L | 26.4gal |
|----------------------|------|---------|

Weight

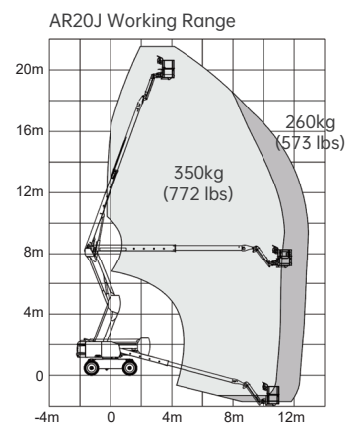
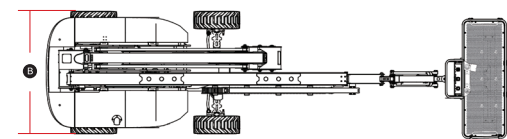
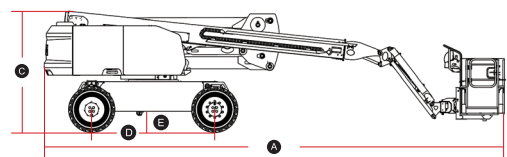
| | | |
|--------------------------|--------|-----------|
| Machine Weight (CE/ANSI) | 9850kg | 21715 lbs |
|--------------------------|--------|-----------|

STANDARD FEATURES

| | |
|----------------------|-------------------------------|
| RT Foam-filled tires | Auto-leveling platform |
| Flashing beacons | Emergency stop device |
| Horn/alarm | Anti-entrapment protection |
| Floating axle | Upper-control box shield |
| Platform tool box | Over tilt protection system |
| Cylinder bellows | Overload sensing system |
| GPS connector | Intelligent diagnostic system |

OPTIONAL

| | | |
|---------------------------|---------------------|------------|
| AC power to platform | Hydraulic generator | Telematics |
| Half-height mesh platform | Platform work light | |



Please contact LGMG or a local dealer for more details.

LGMG reserves the right to change technical data without prior notice. All photos and pictures in this brochure are for promotional purposes only. This brochure comes into effect in September, 2022.

LINGONG HEAVY MACHINERY CO., LTD.

Address: No. 2676, Kejia Road, Jinan, Shandong, China
 Email: sales@lmgm.com.cn Tel: +86 531 6787 9283

LGMG Europe B.V.

Address: Laanweg 16 3208LC Spijkenisse Rotterdam, The Netherlands
 Email: sales@lmggeurope.com Tel: +31 850 642 777

LGMG North America Inc.

Address: 1445 Sheffler Dr, Chambersburg, PA. 17201, USA
 Email: sales@lmgmna.com Tel: +1 833 288 5464

www.lmgglifts.com



LGMG
 RELIABILITY IN ACTION