

UL25/UL32/UL40

PUSH-AROUND MAST LIFTS



- Robust push-around mast lifts
- Patented Girder Lock mast design for stable working up to 46ft.
- Compact dimensions
- Passes through a standard doorway
- Easy loader system for flatbed vehicle transport

 **snorkel**[™]
www.snorkellifts.com

PUSH-AROUND MAST LIFTS **UL25/UL32/UL40**

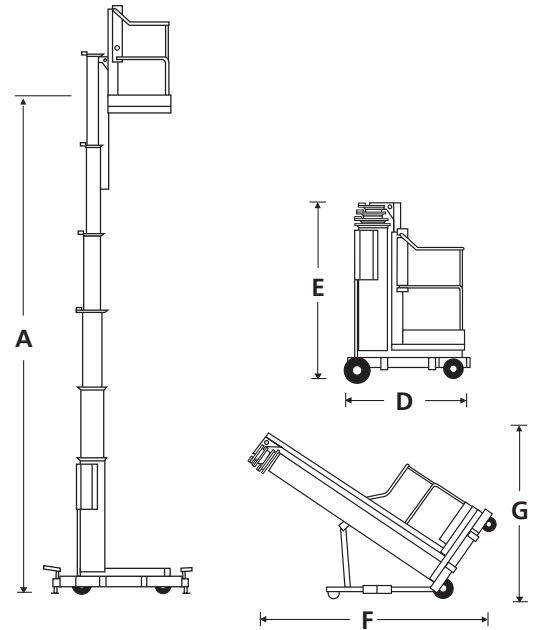
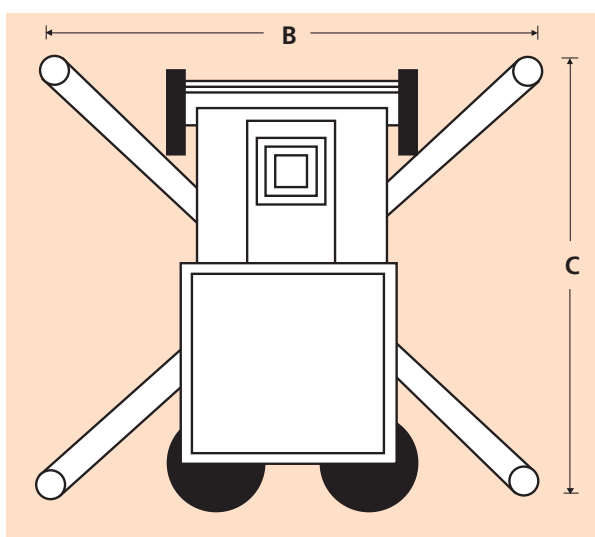
DIMENSIONS	UL25	UL32	UL40
Max. working height	30 ft 11 in	37 ft 9 in	46 ft
Max. platform height (A)	24 ft 11 in	31 ft 9 in	40 ft
Platform length	22 in	22 in	22 in
Platform width	26 in	26 in	26 in
Stabilizer footprint (B x C)	6 ft 10 in x 6 ft 6 in		9 ft 8 in x 9 ft 4 in
Overall width	2 ft 5 in	2 ft 5 in	2 ft 5 in
Overall length (D)	4 ft 2 in	4 ft 4 in	4 ft 4 in
Stowed height (E)	6 ft 6 in	8 ft 3 in	9 ft 6 in
Tilt back length (F)	8 ft 6 in	8 ft 8 in	9 ft 10 in
Tilt back height (G)	6 ft 5 in	6 ft 5 in	6 ft 7 in

PERFORMANCE			
Platform capacity (SWL)	350 lbs	300 lbs	300 lbs
Max. wind speed	0 mph	0mph	0mph
Raise/lower time	43/23 sec	57/26 sec	60/40 sec
Wheels	9 in x 2.5 in rear, 6 in casters front		
Controls	push button		
Wall access	14 in	14 in	29 in
<small>(Distance from front of platform to wall)</small>			

POWER	
Power source (AC)	120/220V AC 50HZ
Power source (DC)	1 x 12V 105Ah battery
Battery charger (DC)	integrated

WEIGHT			
Weight (AC)	859 lbs	959 lbs	1,036 lbs
Weight (DC)	926 lbs	1,025 lbs	1,102 lbs

STABILIZER FOOTPRINT



STANDARD FEATURES

- Patented Girder Lock telescopic mast system
- Integrated tilt-back system
- Ground level entry
- EZ loader system for transport
- Outrigger interlock indicators
- Integrated battery charger (DC only)
- Non-marking wheels & casters
- 2 year parts and labor, 5 year structural warranty
- ANSI compliant

OPTIONS

- Special paint colors
- Tool tray
- Environmental hydraulic oil
- Laser locator

snorkel www.snorkellifts.com

P.O. Box 1160
 St. Joseph, MO 64502-1160, USA
 Tel: 1 (785) 989-3000
 Toll-free: 1 (800) 255-0317
 Fax: 1 (785) 989-3070
 Email: sales.usa@snorkellifts.com