

# BIBI 33BL-W EVO

ALMAC

 **PROACTIVE  
LEVELLING**

ALMAC

 **DYNAMIC  
LEVELLING**



**TRACK BASED SCISSOR LIFT**

 **RUTHMANN  
REACHMASTER**

# BIBI 33BL-W EVO

The **ALL-NEW** Bibi 33BL-W Evo is the latest model in the impressive track-based Bibi series from Almac in Italy, - the scissor lift that can go where no other lift can!

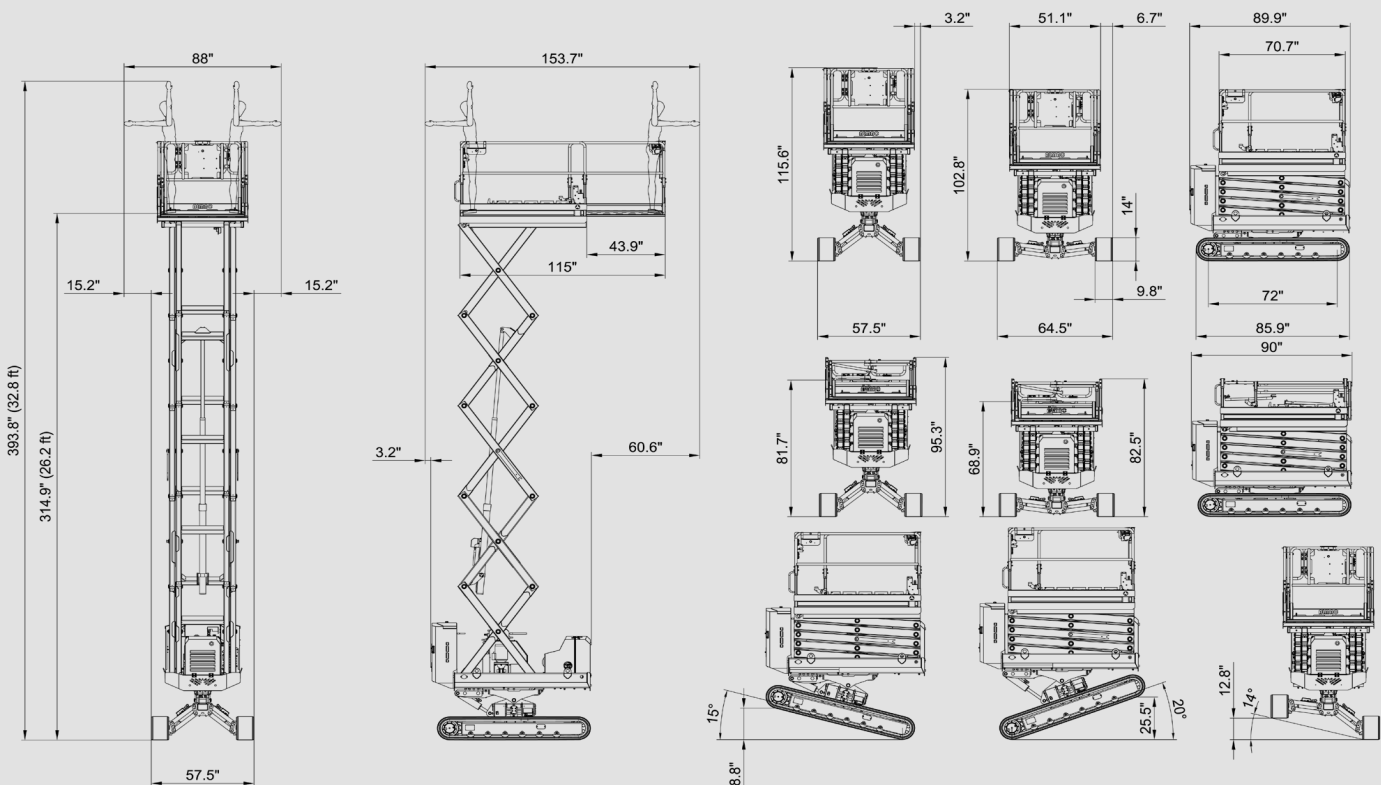
Thanks to the revolutionary adjustable track system the unit will auto level both in driving and set-up position, front & rear and to the sides, representing unique application opportunities

Featuring 33 ft work height and a wider basket, the Bibi33BL-W Evo comes standard with a strong Kubota diesel making driving and set-up safe, easy and efficient.

| Technical data                           | Bibi 33BL-W EVO                 |
|------------------------------------------|---------------------------------|
| Basket capacity                          | 661 lbs (2 persons)             |
| Max working height                       | 32.8 ft                         |
| Max height basket floor                  | 26.2 ft                         |
| Moving height                            | 22.9 ft                         |
| Powered                                  | "KUBOTA Diesel Z602<br>12,5 kW" |
| Powered (option)                         | -                               |
| Powered (option)                         | -                               |
| Accelerator                              | Automatic                       |
| Undercarriage                            | Bi-Leveling                     |
| Basket leveling                          | Automatic                       |
| Leveling Front                           | +/- 15°                         |
| Leveling Rear                            | +/- 20°                         |
| Side leveling                            | +/- 14°                         |
| Power generator (option)                 | 220V-1kW                        |
| Electric pump (option)                   | 220V-2kW                        |
| Hydraulic controls                       | Proportional                    |
| Dynamic Levelling System                 | Yes                             |
| Pro-Active Levelling System              | Yes                             |
| Direction-Control System                 | Yes                             |
| Easy-Drive System                        | Yes                             |
| Kit for high speed                       | max 1.7 mp/h                    |
| Ground emergency lowering system         | Yes                             |
| Control of inclination                   | Automatic                       |
| Gradeability                             | 25°                             |
| Side slope                               | 21°                             |
| Length                                   | 89.9"                           |
| Width                                    | 57.5" ÷ 64.5"                   |
| Min. machine height with folded railings | 82.5" (68.9")                   |
| Total weight                             | 6393 lbs                        |
| Compliance                               | EN 280 : 2015                   |



- Bi-leveling tracks (front, rear & side)
- 33ft work height
- 23ft drive height
- Auto leveling (drive and set-up)
- Kubota diesel
- Inclination control system
- New, wider basket



ALL DATA REPORTED IN THIS CATALOGUE ARE NOT BINDING. ALMAC SRL RESERVES THE RIGHT TO CHANGE SPECIFICATIONS WITHOUT PRIOR NOTICE.